

Enterprise Site Collaboration in Dynamic Environments

Information Day
Objectives 1.3 and 7.3

Brussels, 8 October 2010

Iñaki Angulo

tecnalia  Inspiring
Business



“when a construction project finish successfully is because the site coordination has been correctly managed“

Association of Construction Companies of Bizkaia

- When a construction project starts coordination is perfectly defined in the project schedule.
- However, along the life of the project, different types of event may happens, which affect the initial schedule.
- Affected partners should be informed as soon as possible to adapt their productive activity to these changes.
- Current solutions are based on centralized and complex tools like Primavera or Aconex.

DYNAMIC ENVIRONMENT

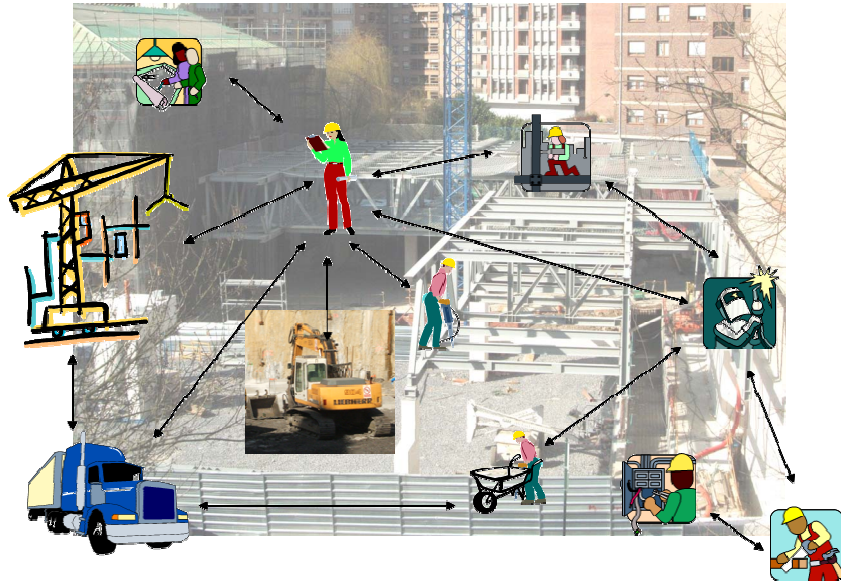
Collaboration scenarios where several companies work together in a common place to build a complex product or provide a composed service

Industrial Domains:

- Construction site
- Complex sport event organization
- Trade fair organization

Special “virtual factory”:

- Production is always locally bound
- One-of-a-kind production
- Temporary organisation



Development of a multiparty collaboration platform for SMEs in dynamic environments that ...

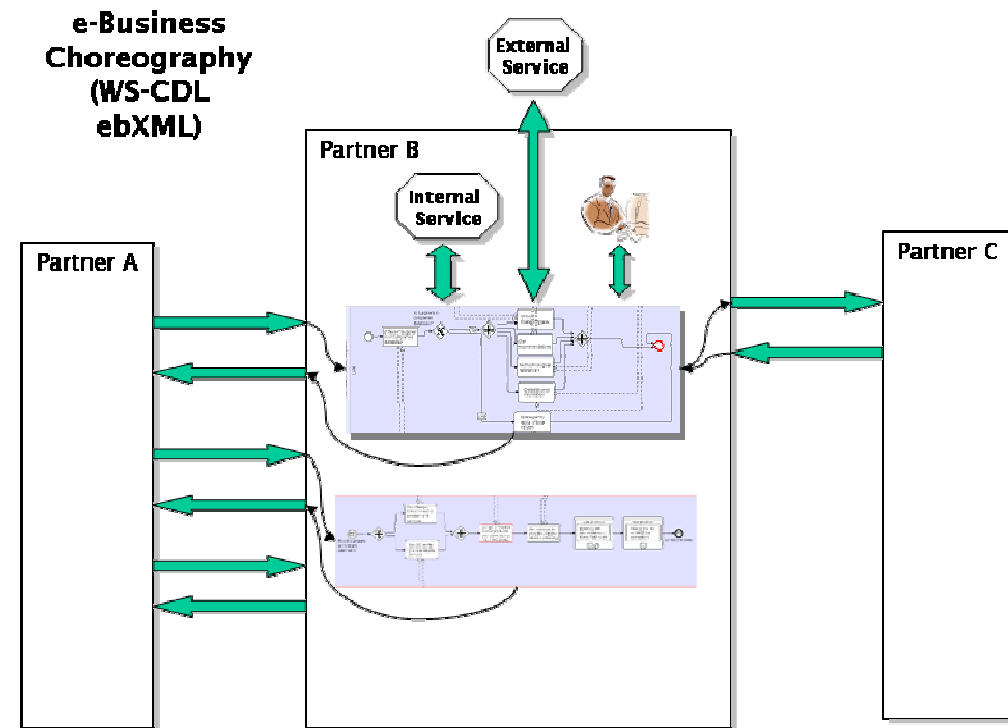
- Configure enterprise collaboration scenarios
- Provide electronic event logging management facilities: human and sensor based.
- Update schedules and site documentation according to the incidents and their consequences.
- Communicate events to the interested parties automatically by electronic means.
- Gather the response by the affected partners

The collaboration scenario will be based on a set of business messages, internal processes, external services and a common language.

Interoperability between choreography and orchestration. Multiparty collaboration business processes need to be defined and coordinated with internal SME processes.

Based on a Service Oriented Architectures (SOA4ALL, NEXOF, ...)

- Integration with ebXML for business processes collaborations.
- CPAs easy configuration tool
- Ontology based common vocabulary
- Virtual Collaborative schedule
- Event management tool: event detection, analysis and propagation.



A collaboration platform with simple configuration and execution engines. It will be composed by a set of independent tools (event management, message collaboration engine, schedule automatic updater, etc.)

A set of standard processes applicable to collaboration scenarios where several companies work together in a common place to build a complex product or provide a composed service

Several concrete scenarios build on the platform.





- Industrial partners
 - for test cases definition and validation
- Technical partners
 - for tool development
- Academic partners
 - for collaboration mechanisms definition

Contact Details

- **Iñaki Angulo**
 - iangulo@robotiker.es
 - Inaki.angulo@tecnalia.com
 - www.tecnalia.com

www.tecnalia.com

tecnalia  Inspiring
Business